

STANDARD SOLAR

Solar pass-through

Catalog no.: **S21**

Solar pass-through is a watertight solution for passing of solar installations through roof slope. The product was designed for double and single wires.

Technical data:

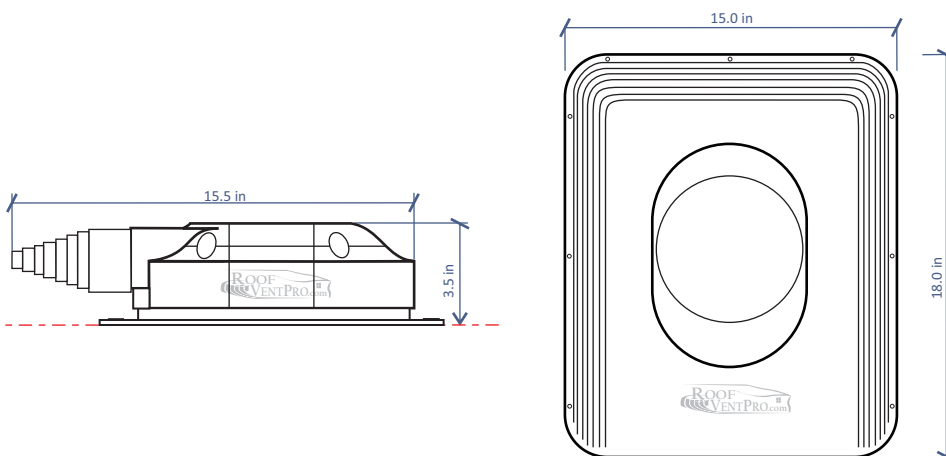
- Roof surface: roof shingles, aluminum shingles, slate and cedar shake roof
- Type: solar pass-through
- dimension: $\varnothing \frac{7}{16} - 1 \frac{7}{8}$
- Package: 1pc/set
- Box size: 19x17x4
- Quantity on euro-pallet (71in): 72 pcs
- Net weight: 1.76 lbs
- Gross: 2.54 lbs
- Material: PP-polypropylene dyed in mass
UV stabilized



Available colors:



Technical drawing:



Set includes:

- solar pass-through
- rubber cap

Details: www.RoofVentPro.com

Product from  WIRPLAST US